

5055e

All Wheel Steer Loaders



**WACKER
NEUSON**
all it takes!



zero emissions, full power

CO2 emissions, noise, and soot particles are a thing of the past – the 5055e is the first fully-electric wheel loader with all-wheel steering. The new cost-efficient and emission-free electric drive allows operation inside buildings and noise-sensitive areas. The 5055e is very compact and, due to the all-wheel steering, extremely manoeuvrable. One electric motor is installed for the drive system that provides a high level of performance with good resolution.

- Ecological advantages: Alongside a low CO2 footprint, there is no particulate pollution for the operator and the environment. This ensures a careful use of resources.
- Lower noise level: Less noise exposure for sensitive areas such as hotel facilities, inner cities, parks, building areas
- No exhaust gas emissions: Trouble-free work in interiors, tunnels and completely emissions-free
- Economic advantages: The future-orientated technology enables low maintenance costs and a quick amortisation of additional costs

5055e Technical specifications

Engine / Motor

Engine / Motor manufacturer	JULI / Jungheinrich
Engine performance drive motor	15 kW
Emission standards stage	emission-free

Battery

Supply voltage of battery charger	240 V
Battery	80 V
Rated capacity K5	416 Ah
Battery weight ($\pm 5\%$)	1,230 kg
Charging time	8.5 h
Running time under long-time application with heavy materials handling, uninterrupted operation	approx. 3 h
Running time under normal activities, uninterrupted operation	approx. 5 h

Weights

Operating weight	4,150 kg
Payload S=1.25 (pallet fork)	1,750 kg
Tipping load (standard bucket)	2,500 kg

Vehicle data

Bucket capacity (standard bucket)	0.65 m ³
Traction drive	continuously adjustable electric drive system
Travel speed (max.)	17 km/h
Standard tires	12-18
Differential lock	100% VA
Steering angle	2x38 °
Type of kinematics	P-kinematics
Tilt-in angle	48 °
Dump angle	42 °

Hydraulic system

Operating hydraulics - operating pressure max.	235 bar
Operating hydraulics - discharge capacity max.	54 l/min

Filling capacities

Hydraulic oil tank	40 l
--------------------	------

Sound level

Sound level (LwA)	80.9 dB(A)
Guaranteed sound power level LwA	82 dB(A)

* Information: Measured according to the requirements of the standard DIN EN 474-1 and directive 2000/14/EG. Measuring station: asphalted surface.

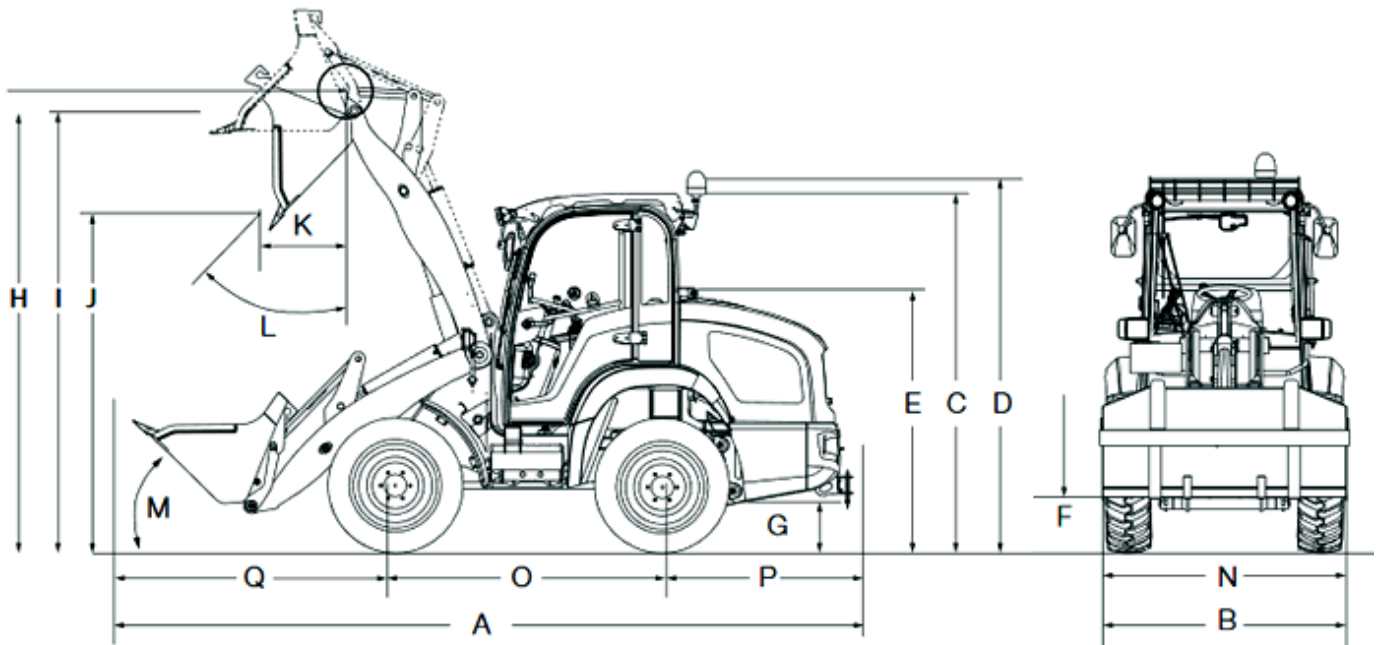
** Uncertainty of the vibration measuring devices according to the requirements of standards DIN EN 474-1 and EN 12096. Please instruct or inform the operator of possible dangers caused by vibrations.

*** Determined using Wacker Neuson test cycle.

All statements without guarantee.

Further technical data can be found in the brochure in the info-material section.

5055e Dimensions



S = standard loader unit

L = extended loader unit

Dimensions

Dimensions		S = standard loader unit	L = extended loader unit
A	Overall length with bucket and towing device	4,950 mm	5,140 mm
B	Overall width	1,650 mm	1,650 mm
C	Cabin height	2,390 mm	2,390 mm
D	Overall height with FOPS grating	2,470 mm	2,470 mm
E	Height at upper edge of hood	1,700 mm	1,700 mm
G	Ground clearance	280 mm	280 mm
H	Hinge pin height	3,050 mm	3,300 mm
I	Overhead loading height	2,880 mm	3,280 mm
J	Dump height max.	2,350 mm	2,620 mm
K	Dump reach	320 mm	410 mm
L	Dump angle	42 °	42 °
N	Track width	1,262 mm	1,262 mm
O	Wheelbase	1,850 mm	1,850 mm
-	Radius turning at the outer edge of wheels	2,700 mm	2,700 mm
-	Radius turning at the outer edge of bucket	3,550 mm	3,780 mm

Note: All dimensions refer to the equipment with standard bucket and standard tires.

Please note: that product availability can vary from country to country. It is possible that information / products may not be available in your country. More detailed information on engine power can be found in the operator's manual; the stated power may vary due to specific operating conditions. Subject to alterations and errors excepted. Applicable also to illustrations.
Copyright © 2019 Wacker Neuson SE.