

# 5075

## All Wheel Steer Loaders



**WACKER  
NEUSON**  
*all it takes!*



### The grounded champion

The efficient 5075 is a compact and manoeuvrable wheel loader. It was formerly known as the "750". The efficient machine impresses with its dynamic all-wheel drive, high payload and low operating weight. The one-piece chassis provides an unbeatable manoeuvrability and maximum stability. Due to the specially formed loading unit and the p-kinematics unloading from the 2nd row is no problem. The cabin is focused on functionality, it ensures safe operation of the most important functions by illuminated keypads.

- Automatic load stabiliser: The optional automatic load stabiliser provides optimum comfort for both man and machine
- Manoeuvrability: 2 x 40° steering angle provides the smallest turning radius and manoeuvrability in the narrowest areas
- Flexible application: Bucket volume from 0.75m<sup>3</sup> to 1.1m<sup>3</sup> dependent on material density
- Long load unit: Application-oriented lifting height by the optional loading system extension
- No exhaust gas after-treatment: The proven engine technology fulfills the exhaust emission class IIIA

## 5075 Technical specifications

### Engine / Motor

Engine / Motor manufacturer	Yanmar
Engine performance	35 kW
Emission standards stage	IIIA

### Weights

Operating weight	4,100 kg
Payload (S = 1.25)	1,900 kg
Payload (S=1.25; extended loading unit)	1,750 kg
Tipping load (with standard bucket)	3,150 kg
Tipping load (with standard bucket and extended loading unit)	2,900 kg

### Vehicle data

Bucket capacity (standard bucket)	0.75 m <sup>3</sup>
Traction drive	Continuously variable, hydrostatic axial piston transmission
Travel speed	20 km/h
Standard tires	12.5–18
Differential lock	100% front axle
Steering angle	2x40 °
Type of kinematics	P-kinematics
Tilt-in angle	50 °
Dump angle	45 °

### Hydraulic system

Operating hydraulics - operating pressure max.	210 bar
Operating hydraulics - discharge capacity max.	52 l/min

### Filling capacities

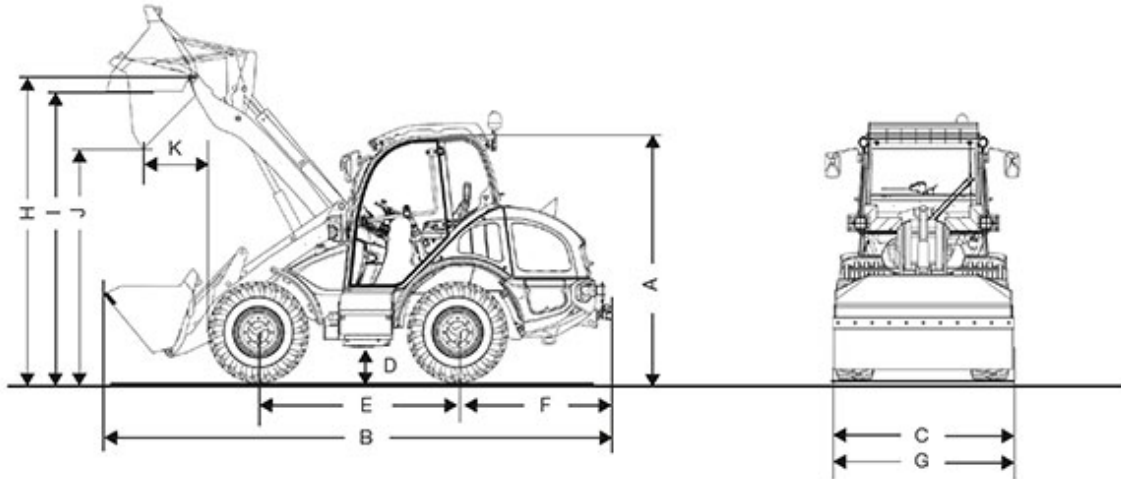
Fuel tank capacity	75 l
Hydraulic oil tank	50 l

### Sound level

Sound level (LwA)	100 dB(A)
Guaranteed sound power level LwA	101 dB(A)

Additional technical data is available in the detailed brochure within the information section.

## 5075 Dimensions



### Dimensions

A	Height	2,450 mm
B	Overall length	5,080 mm
C	Overall width	1,720 mm
D	Ground clearance	300 mm
E	Wheelbase	2,020 mm
-	Center of front axle to tip of teeth	1,570 mm
F	Center of rear axle to end of vehicle	1,490 mm
G	Bucket width	1,750 mm
H	Hinge pin height	3,065 mm
I	Overhead loading height	2,915 mm
J	Dump height max.	2,400 mm
K	Dump reach	650 mm
-	Stack height	2,800 mm
-	Radius (turning) above tires	2,840 mm

Please note: that product availability can vary from country to country. It is possible that information / products may not be available in your country. More detailed information on engine power can be found in the operator's manual; the stated power may vary due to specific operating conditions. Subject to alterations and errors excepted. Applicable also to illustrations.  
Copyright © 2019 Wacker Neuson SE.