

5085T

Telescopic Wheel Loaders



**WACKER
NEUSON**
all it takes!



The grounded telescopic wheel loader

The 5085T is characterised by functionality, compactness and manoeuvrability. The telescopic loading system provides a clear plus in terms of reach and overhead loading height. In combination with the optional work platform, you will achieve a unique working height of about 7m (optional). The 55kW engine enables a maintenance-free exhaust after-treatment and meets the requirements of the exhaust emission standard class E^{B} . The undivided frame and the all-wheel steering provide constant payload and excellent stability.

- Speed: The optionally available overdrive enables stepless acceleration from 0 – 30 km/h
- Unbeatable manoeuvrability: Great manoeuvrability by the 2x 40° steering locks
- Safety: The tilt back angle limit of 45° with maximum lifting height protects the operator and machine from undesired loss of materials
- Flexible application: Bucket volume between 0.85 and 1.3 m³ depending on material density
- Driver comfort: The automatic load stabiliser optionally ensures optimal comfort for operators and machines

5085T Technical specifications

Engine / Motor

Engine / Motor manufacturer	Kohler
Engine performance	55.4 kW
Emission standards stage	IIIB

Operating data

Operating weight	5,250 kg
Travel speed (standard)	20 km/h
Speed (optional)	30 km/h
Bucket capacity (standard bucket)	0.85 m ³
Payload (S=1.25)	2,000 kg
Tipping load (standard bucket)	3,150 kg
Standard tires	12.5-20
Differential lock	100 % front
Traction drive	continuously variable, hydrostatic axial piston transmission
Type of kinematics	Z-kinematics
Tilt-in angle	40 °
Dump angle	40 °

Steering and operating hydraulics

Operating hydraulics - operating pressure max.	240 bar
Operating hydraulics - discharge capacity max.	70 l/min
Steering angle max.	2 x 40 °

Filling capacities

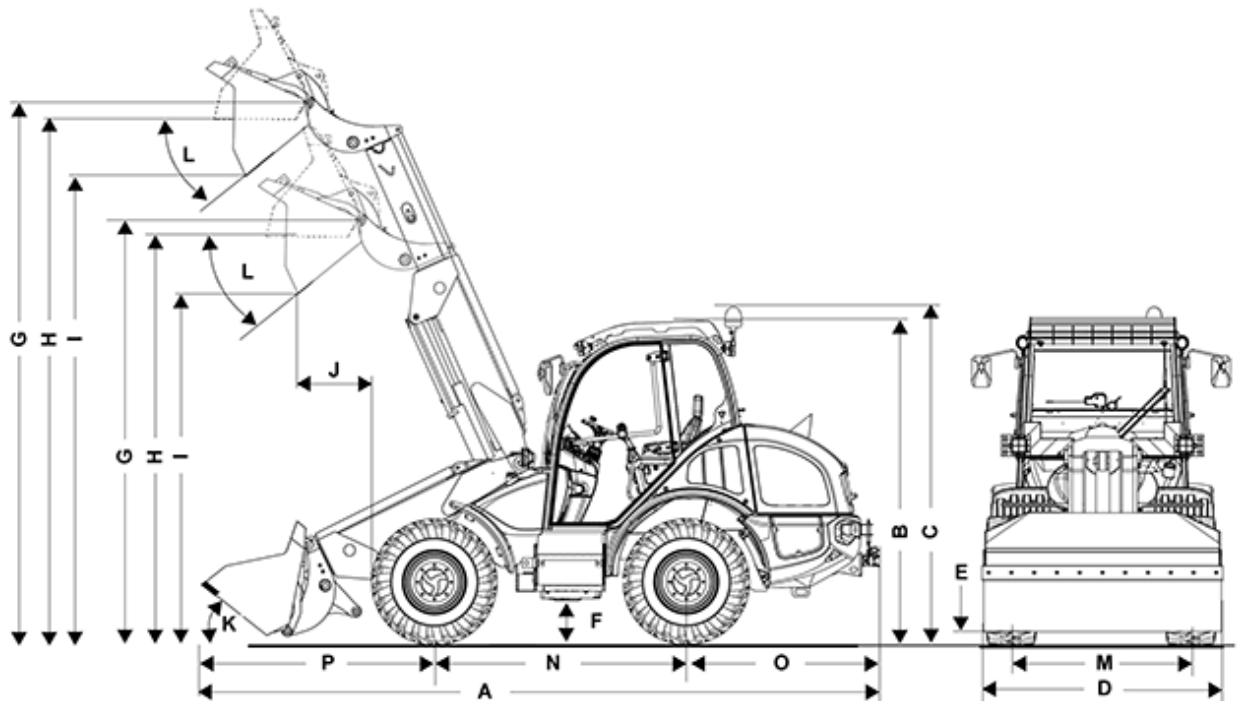
Fuel tank capacity	75 l
Hydraulic oil tank	50 l

Sound level

Sound level (LwA)	100 dB(A)
Guaranteed sound power level LwA	101 dB(A)

Additional technical data is available in the detailed brochure within the information section.

5085T Dimensions



A	Length	5,890 mm
B	Height	2,590 mm
C	Cabin height with beacon	2,830 mm
D	Overall width	1,850 mm
E	Ground clearance in transport position of the loading installation	250 mm
F	Ground clearance under axle and gearbox	330 mm
G	Hinge pin height retracted	3,610 mm
G	Hinge pin height extended	4,690 mm
H	Overhead loading height retracted	3,440 mm
H	Overhead loading height extended	4,520 mm
I	Dump height max. retracted	3,010 mm
I	Dump height max. extended	4,010 mm
-	Stack height extended	4,470 mm
J	Dump reach retracted	620 mm
J	Dump reach extended	1,080 mm
K	Tilt-in angle	40 °
L	Dump angle	40 °
M	Track width	1,400 mm
N	Wheelbase	2,020 mm

O	Center of rear axle to end of vehicle	1,490 mm
P	Center of front axle to tip of teeth	2,250 mm
-	Turning radius over tires	2,840 mm

Please note: that product availability can vary from country to country. It is possible that information / products may not be available in your country. More detailed information on engine power can be found in the operator's manual; the stated power may vary due to specific operating conditions. Subject to alterations and errors excepted. Applicable also to illustrations.
Copyright © 2019 Wacker Neuson SE.