

5025

All Wheel Steer Loaders



**WACKER
NEUSON**
all it takes!



The most compact among wheel loaders

The most compact wheel loader is characterised by the time-tested and proven principle of one-piece chassis and the all-wheel steering. Due to its drive on four-wheel hub engines, the mini loader 5025 attains an incomparable dynamic. At the same time, the centre of gravity sits lower, which in turn increases stability. The clearance height of less than 2 m means that, for example, work can be carried out effortlessly in underground car parks. Due to its compact dimensions and the low shipping weight, the wheel loader can be transported with a 3.5 t trailer.

- The one-piece chassis and the proven all-wheel steering ensure optimal stability and maximum payload on uneven ground
- Compact dimensions: The clearance height of less than 2 m and the width of less than 1.2 m make the 5025 a compact genius
- Flexible application: With the Kramer quickhitch plate you can use buckets with a volume of 0.25 m³ to 0.55 m³ depending on material density
- Wide field of view: the low approach of the loader unit enables perfect all-round visibility
- Ultimate manoeuvrability: 1950 mm turning radius (tyre outer edge) realised by 2x38° steering lock

5025 Technical specifications

Engine / Motor

Engine / Motor manufacturer	Yanmar
Engine performance	23 kW
Emission standards stage	IIIA

Weights

Operating weight (canopy)	1,555 kg
Payload (S=1.25)	650 kg
Tipping load (with bucket)	1,080 kg

Vehicle data

Bucket capacity (standard bucket)	0.25 m ³
Traction drive	Continuously variable, hydrostatic axial piston transmission
Travel speed	20 km/h
Standard tires	28x9.00-15
Steering angle max.	2x38 °
Type of kinematics	Z-kinematics with optimised parallel motion
Tilt-in angle	40 °
Dump angle	45 °

Hydraulic system

Operating hydraulics - operating pressure max.	240 bar
Operating hydraulics - discharge capacity max.	20 l/min

Filling capacities

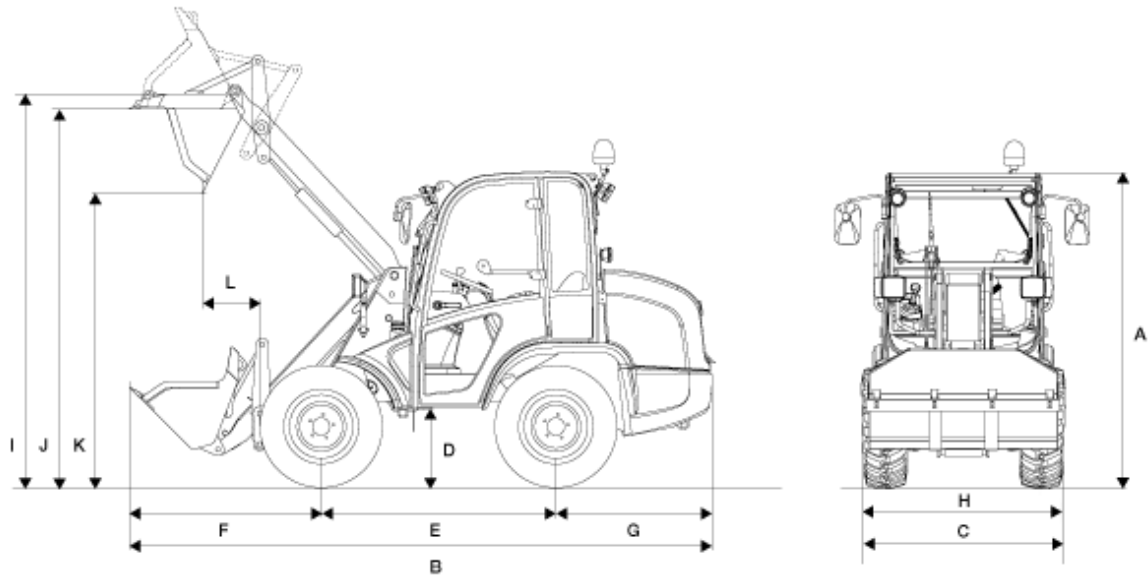
Fuel tank capacity	30 l
Hydraulic oil tank	40 l

Sound level

Sound level (LwA)	99.7 dB(A)
Guaranteed sound power level LwA	101 dB(A)

All statements without guarantee.

5025 Dimensions



Dimensions

A	Height	1,980 mm
B	Overall length	3,890 mm
C	Overall width	1,177 mm
D	Ground clearance	240 mm
E	Wheelbase	1,525 mm
F	Center of front axle to tip of teeth	1,250 mm
G	Center of rear axle to end of vehicle	1,115 mm
H	Bucket width	1,250 mm
I	Hinge pin height	2,800 mm
J	Overhead loading height	2,690 mm
K	Dump height max.	2,300 mm
-	Radius turning (above tyres)	1,950 mm

Please note: that product availability can vary from country to country. It is possible that information / products may not be available in your country. More detailed information on engine power can be found in the operator's manual; the stated power may vary due to specific operating conditions. Subject to alterations and errors excepted. Applicable also to illustrations.
Copyright © 2019 Wacker Neuson SE.