

ET20

Tracked Conventional Tail Excavators



**WACKER
NEUSON**
all it takes!



Stability meets especially developed lifting arm

The ET20 compact excavator not only proves its capabilities with its powerful drive, but also offers a wide range of innovative features and options. The ET20 achieves ideal digging results and high stability by means of its specially developed longer chassis and the lifting arm designed precisely for it.

- Increased forces of up to 30% and an optimized cooling concept are setting standards in operation
- Spacious, flexible and comfortable cabin with all-round visibility
- Optimally configurable for individual requirements by numerous options
- The innovative Vertical Digging System (VDS) compensates up to 27% inclination and thus provides an upright sitting position when working on slopes.

ET20 Technical specifications

Operating data

| | |
|----------------------|------------------------|
| Shipping weight min. | 1,862 kg |
| Operating weight | 2,005 - 2,324 kg |
| Biting force max. | 12.5 kN |
| Breakout force max. | 18.8 kN |
| Digging depth max. | 2,683 mm |
| Dumping height | 2,713 - 2,836 mm |
| Digging radius max. | 4,317 mm |
| L x W x H | 4,049 x 990 x 2,295 mm |

Engine / Motor

| | |
|--------------------------------|---------------------------------------|
| Engine / Motor manufacturer | Yanmar |
| Engine / Motor type | 3TNV76 |
| Engine / Motor | Water-cooled 3-cylinder diesel engine |
| Emission standards stage | 5 |
| Displacement | 1,116 cm ³ |
| RPM / speed | 2,200 rpm |
| Engine performance acc. to ISO | 13.8 kW |
| Battery Voltage | 44 Ah |
| Fuel tank capacity | 24 l |

Hydraulic system

| | |
|--|----------------------|
| Duty pump | Double variable pump |
| Max. flow rate | 23.8 + 23.8 l/min |
| Duty pump | Gear pump |
| Max. flow rate | 19.1 + 6.5 l/min |
| Operating pressure for working and traction hydraulics | 200 bar |
| Operating pressure Slewing gear | 150 bar |
| RPM / speed Superstructure | 10 rpm |
| Hydraulic oil tank Contents | 19 l |

Undercarriage

| | |
|-------------------|----------|
| Travel speed max. | 4.1 km/h |
| Chain width | 250 mm |
| Ground clearance | 170 mm |

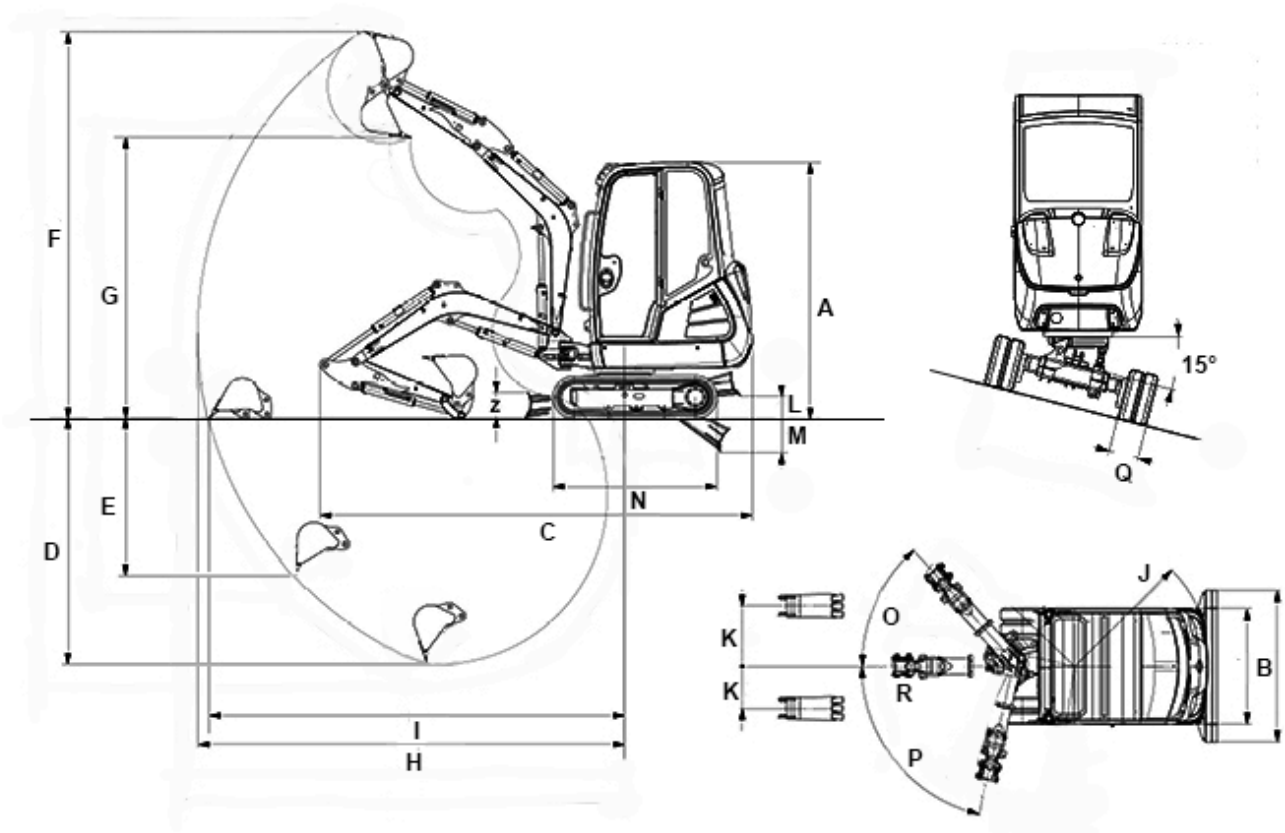
Dozer Blade

| | |
|--|--------|
| Width | 990 mm |
| Height | 220 mm |
| Stroke Standard dozer blade above ground | 220 mm |
| Stroke Standard dozer blade below ground | 300 mm |

Sound level

| | |
|--------------------------------------|----------|
| Sound level (LwA) acc. to 2000/14/EC | 93 dB(A) |
|--------------------------------------|----------|

ET20 Dimensions



| | | | VDS |
|---|--|----------|----------|
| A | Height | 2,295 mm | 2,388 mm |
| B | Width Superstructure | 990 mm | 990 mm |
| B | Width undercarriage retracted | 990 mm | 990 mm |
| B | Width undercarriage extended (telescopic undercarriage only) | 1,300 mm | 1,300 mm |
| B | Width Dozer blade | 990 mm | 990 mm |
| B | Width Dozer blade width with extension (telescopic undercarriage only) | 1,300 mm | 1,300 mm |
| C | Transport length | 4,049 mm | 4,024 mm |
| D | Digging depth max. Max. (short dipper stick) | 2,483 mm | 2,391 mm |
| D | Digging depth max. Max. (long dipper stick) | 2,683 mm | 2,590 mm |
| E | Insertion depth Max., vertikal (short dipper stick) | 1,660 mm | 1,567 mm |
| E | Insertion depth Max., vertikal (long dipper stick) | 1,845 mm | 1,752 mm |
| F | Insertion height Max. (short dipper stick) | 3,836 mm | 3,929 mm |
| F | Insertion height Max. (long dipper stick) | 3,959 mm | 4,052 mm |
| G | Dump height max. Max. (short dipper stick) | 2,713 mm | 2,805 mm |
| G | Dump height max. Max. (long dipper stick) | 2,836 mm | 2,928 mm |
| H | Digging radius max. Max. (short dipper stick) | 4,129 mm | 4,129 mm |
| H | Digging radius max. Max. (long dipper stick) | 4,317 mm | 4,317 mm |
| I | Range Max., on the ground (short dipper stick) | 4,031 mm | 4,005 mm |

| | | | |
|----|---|----------|----------|
| I | Range Max. ,on the ground (long dipper stick) | 4,225 mm | 4,201 mm |
| J | Rear swivel radius Min. | 1,169 mm | 1,169 mm |
| K | Arm displacement Max. , to centre of bucket, right side | 516 mm | 516 mm |
| K | Arm displacement Max. , to centre of bucket, left side | 359 mm | 359 mm |
| L | Lift height Max., of dozer blade above ground (short) | 216 mm | 264 mm |
| L | Lift height Max., of dozer blade above ground (long) | 299 mm | 353 mm |
| M | Scraping depth Max., of dozer blade below ground (short) | 297 mm | 255 mm |
| M | Scraping depth Max., of dozer blade below ground (long) | 362 mm | 312 mm |
| N | Length Total crawler length (standard undercarriage) | 1,708 mm | 1,709 mm |
| -- | Length Crawler length Sprocket wheel (standard undercarriage) | 1,325 mm | 1,326 mm |
| O | Turning angle Max. of boom system to the right | 48 ° | 48 ° |
| P | Turning angle Max. of boom system to the left | 77 ° | 77 ° |
| R | Boom slewing radius centre | 1,666 mm | 1,666 mm |
| -- | Boom slewing radius right | 1,582 mm | 1,582 mm |
| -- | Boom slewing radius left max. | 1,356 mm | 1,356 mm |
| -- | Boom slewing radius left lock | 1,449 mm | 1,450 mm |
| Z | Height Dozer blade | 230 mm | 230 mm |

Please note: that product availability can vary from country to country. It is possible that information / products may not be available in your country. More detailed information on engine power can be found in the operator's manual; the stated power may vary due to specific operating conditions. Subject to alterations and errors excepted. Applicable also to illustrations.

Copyright © 2020 Wacker Neuson SE.